

MOROOKA



ENGINE

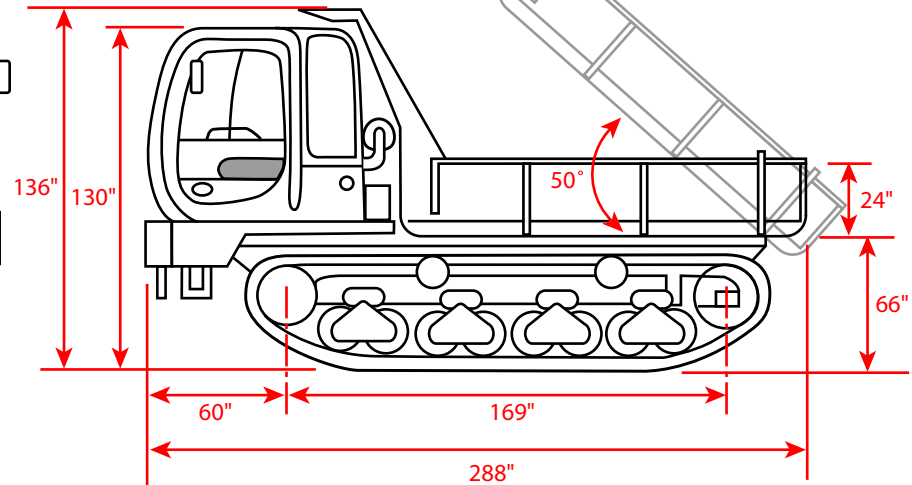
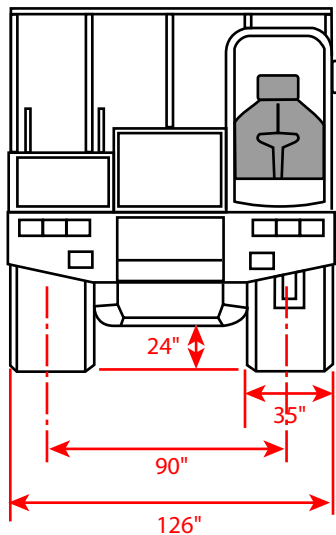
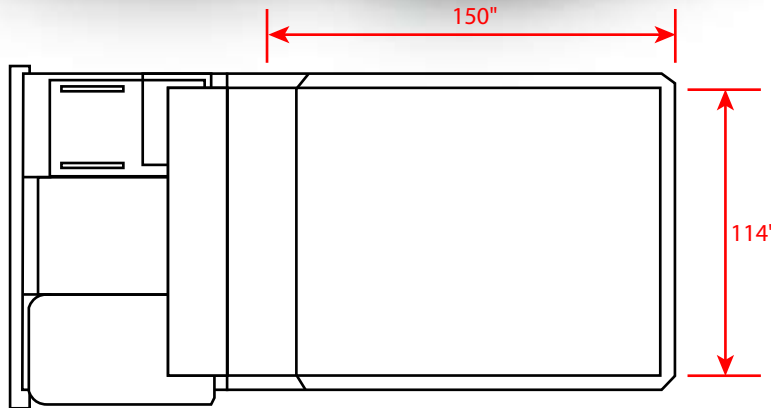
Make: Deere
Model: 6125HF
Displacement: 12.5 liter
475 hp @ 2,200 rpm
Max. Torque: 1600 ft/lbs
Fuel tank capacity: 85 gal

MACHINE WEIGHT

42,000 lbs

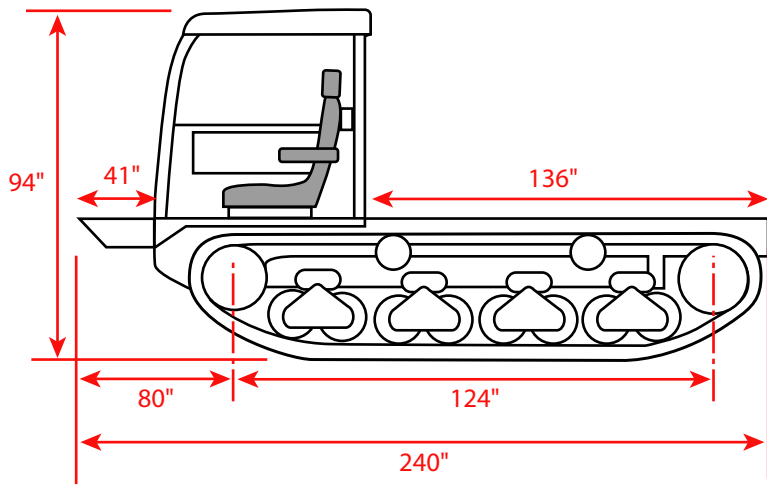
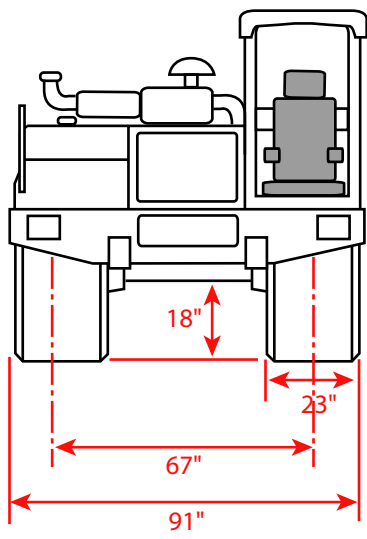
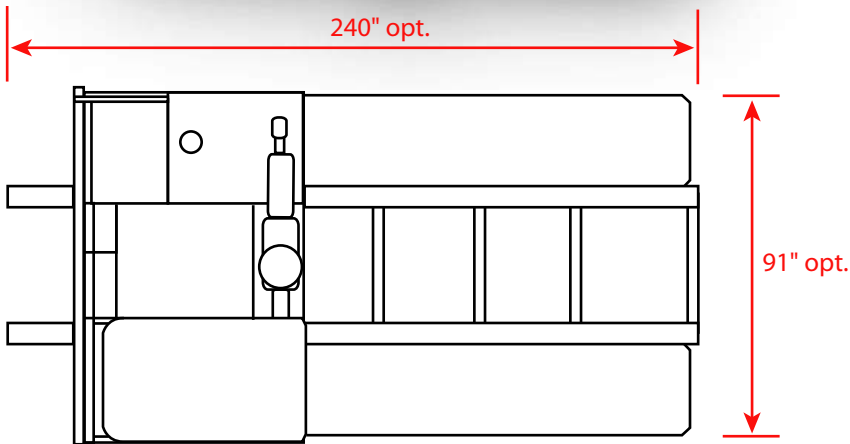
PERFORMANCE

Max. Carrying Capacity	35,000 lbs
Travel Speed - 1st Gear	0-3.8 mph
Travel Speed - 2nd Gear	3.8-8 mph v
Gradeability (unloaded)	35 degrees
Ground Pressure	3.4 psi
Ground Pressure (loaded)	6.5 psi





ENGINE	
Make:	Deere
Model:	4045T
4 cylinder, Displacement: 4.5 liter	
115 hp @ 2,400 rpm	
Fuel tank capacity: 27.7 gal	
MACHINE WEIGHT	
12,500 lbs	
PERFORMANCE	
Max. Carrying Capacity	12,000 lbs
Travel Speed - 1st Gear	5.1 mph
Travel Speed - 2nd Gear	7.5 mph
Gradeability (unloaded)	30 degrees
Ground Pressure	2.3 psi
Ground Pressure (loaded)	3.8 psi





ENGINE

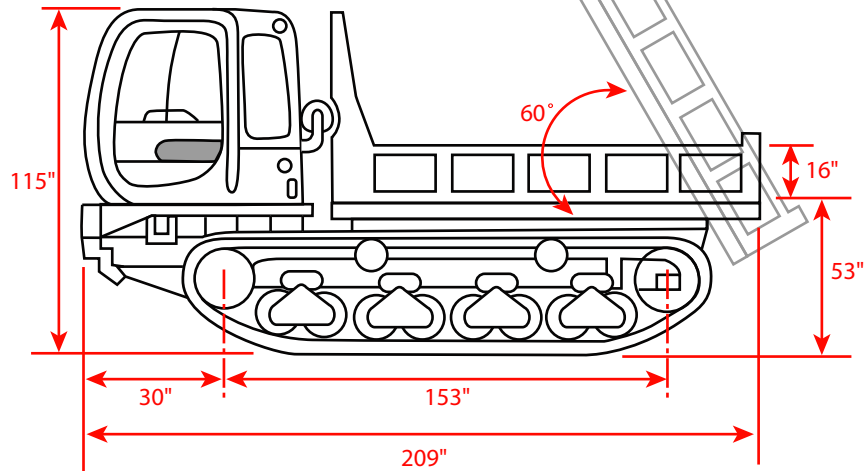
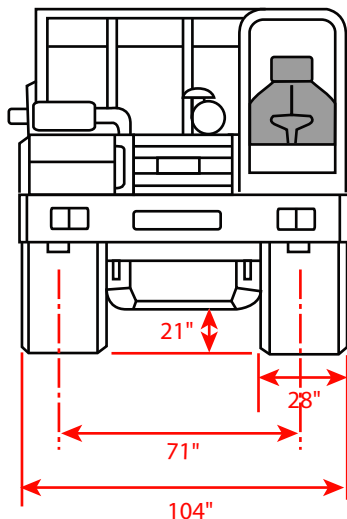
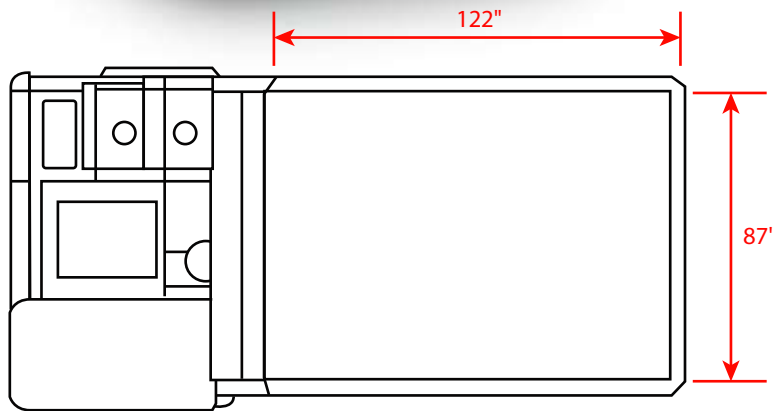
Make: Mitsubishi
 Model: 6D16-TE2
 6 cylinder, Displacement: 7.5 liter
 204 hp @ 2,700 rpm
 Fuel tank capacity: 39.6 gal

MACHINE WEIGHT

20,282 lbs

PERFORMANCE

Max. Loading Capacity	14,000 lbs
Travel Speed - Low	0-4.7 mph
Travel Speed - High	0-6.8 mph
Gradeability (unloaded)	30 degrees
Ground Pressure	2.4 psi
Ground Pressure (loaded)	3.9 psi





ENGINE

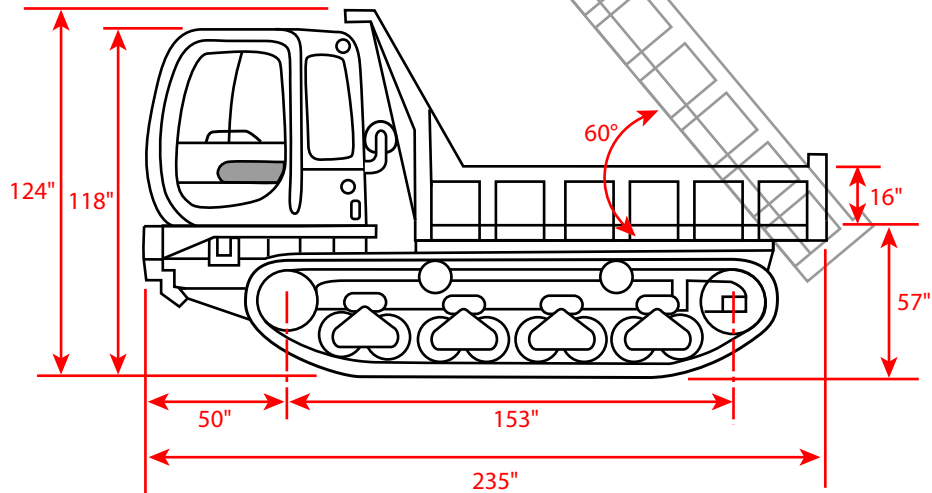
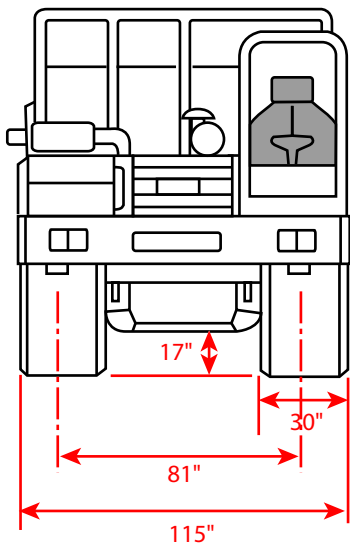
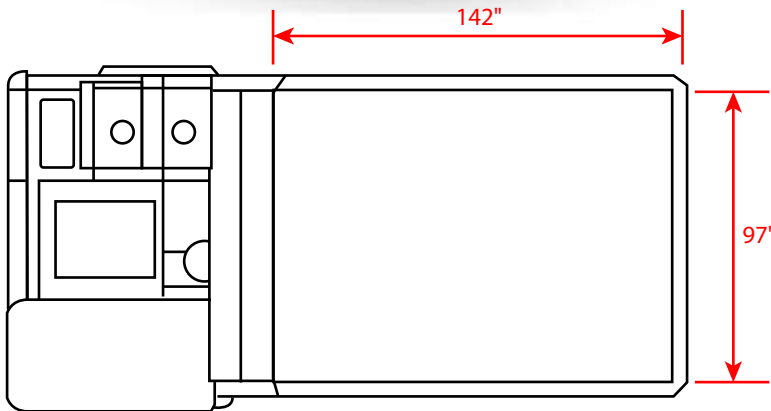
Make: CAT
Model: C9
6 cylinder, Displacement: 8.8 liter
250 hp @ 2,100 rpm
Fuel tank capacity: 63.4 gal

MACHINE WEIGHT

29,762 lbs

PERFORMANCE

Max. Carrying Capacity	22,046 lbs
Travel Speed - 1st Gear	0-5.0 mph
Travel Speed - 2nd Gear	0-7.5 mph
Gradeability (unloaded)	30 degrees
Ground Pressure	3.1 psi
Ground Pressure (loaded)	5.7 psi





ENGINE

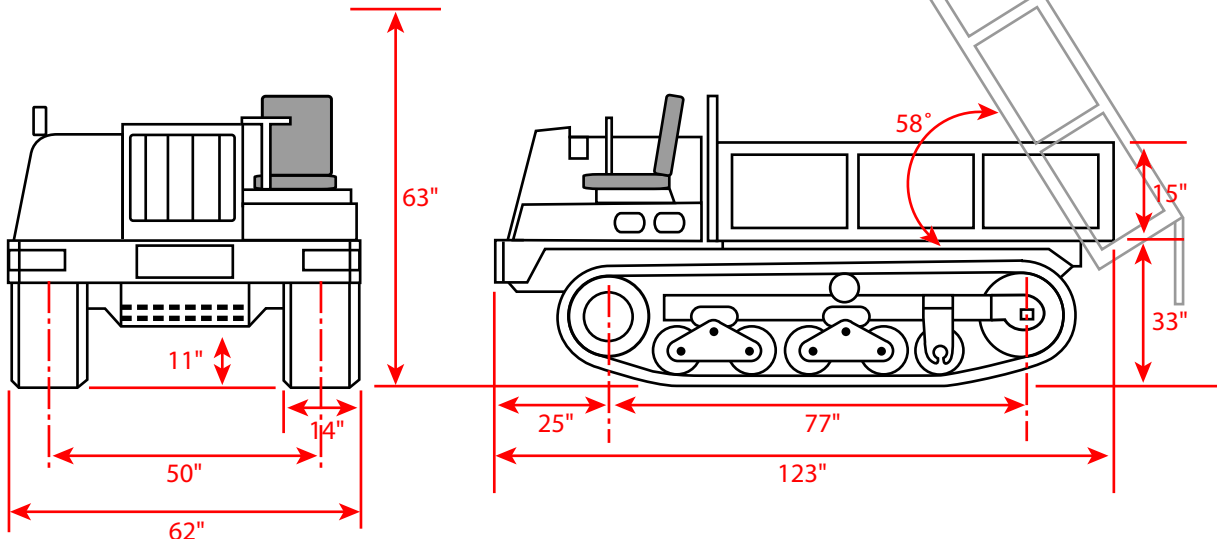
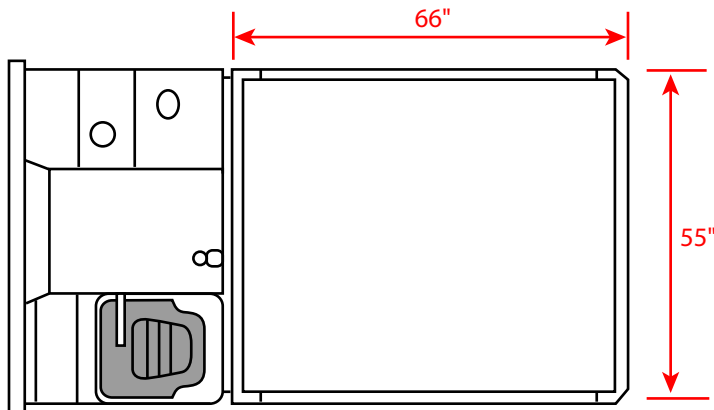
Make: Kubota
Model: V2203
4 cylinder, Displacement: 2.2 liter
46 hp @ 2,800 rpm
Max. torque: 32.4 lbs.
Fuel tank capacity: 13.7 gal

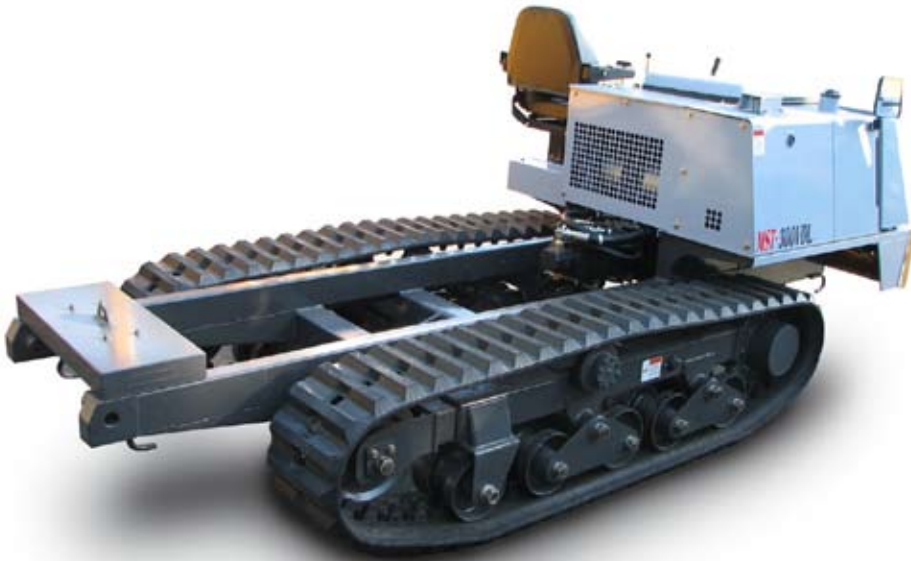
MACHINE WEIGHT

5,000 lbs

PERFORMANCE

Max. Loading Capacity	5,000 lbs
Travel Speed - Stage 1	3.73 mph
Travel Speed - Stage 2	5.59 mph
Gradeability (unloaded)	30 degrees
Ground Pressure	2.28 psi
Ground Pressure (loaded)	4.55 psi





ENGINE

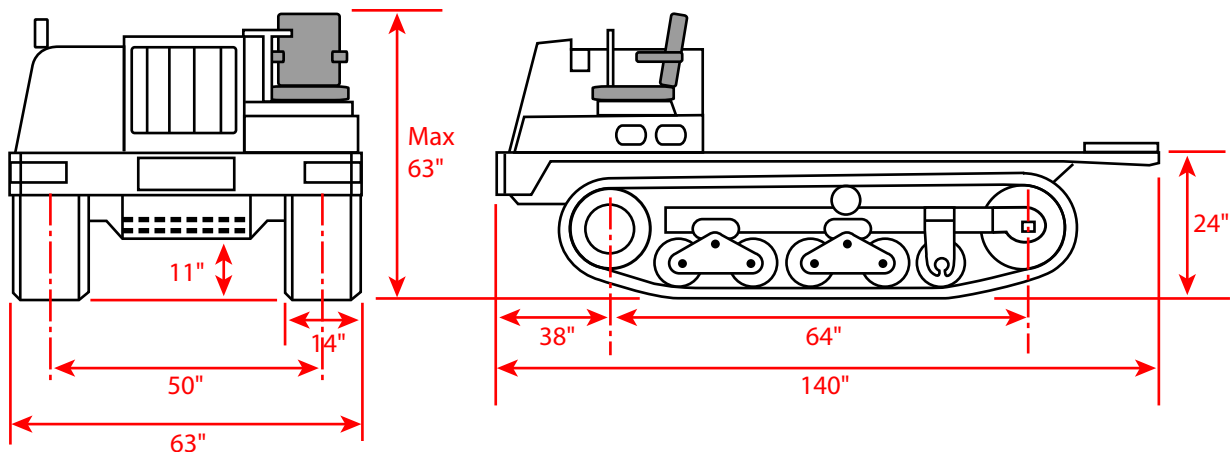
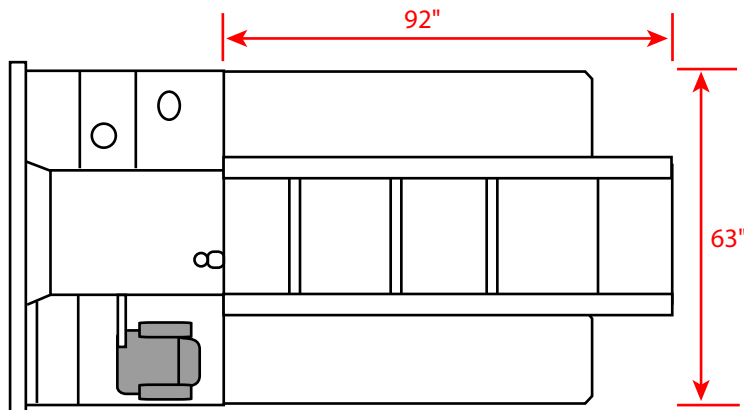
Make: Kubota
Model: V2203
4 cylinder, Displacement: 2.2 liter
46 hp @ 2,800 rpm
Max. torque: 32.4 lbs.
Fuel tank capacity: 13.7 gal

MACHINE WEIGHT

5,000 lbs

PERFORMANCE

Max. Loading Capacity	5,000 lbs
Travel Speed - Stage 1	3.73 mph
Travel Speed - Stage 2	5.59 mph
Gradeability (unloaded)	30 degrees
Ground Pressure	2.28 psi
Ground Pressure (loaded)	4.55 psi





ENGINE

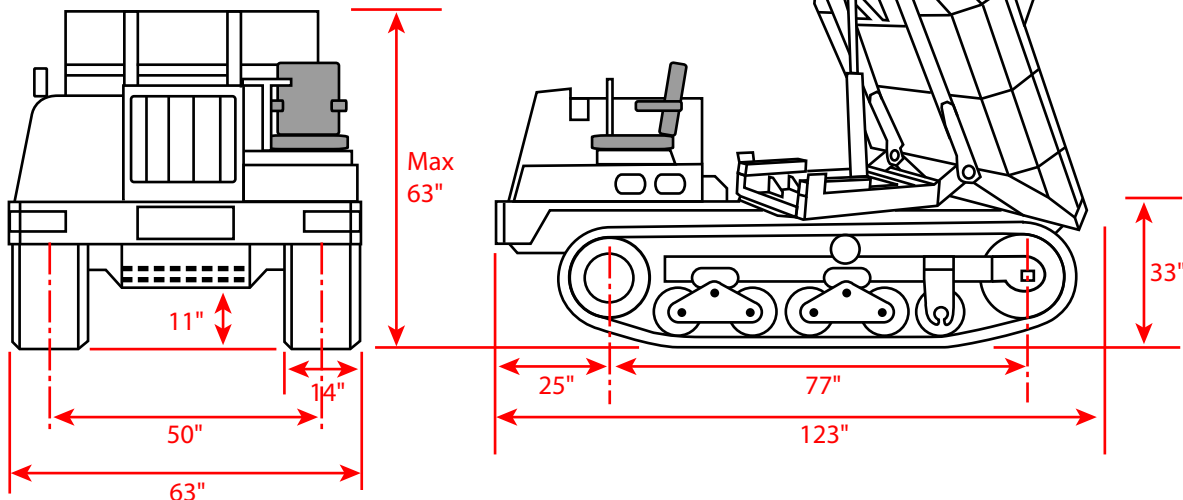
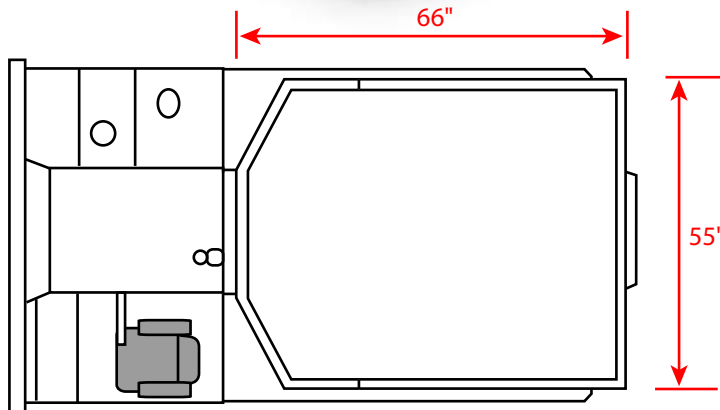
Make: Kubota
Model: V2203
4 cylinder, Displacement: 2.2 liter
46 hp @ 2,800 rpm
Max. torque: 32.4 lbs.
Fuel tank capacity: 13.7 gal

MACHINE WEIGHT

5,000 lbs

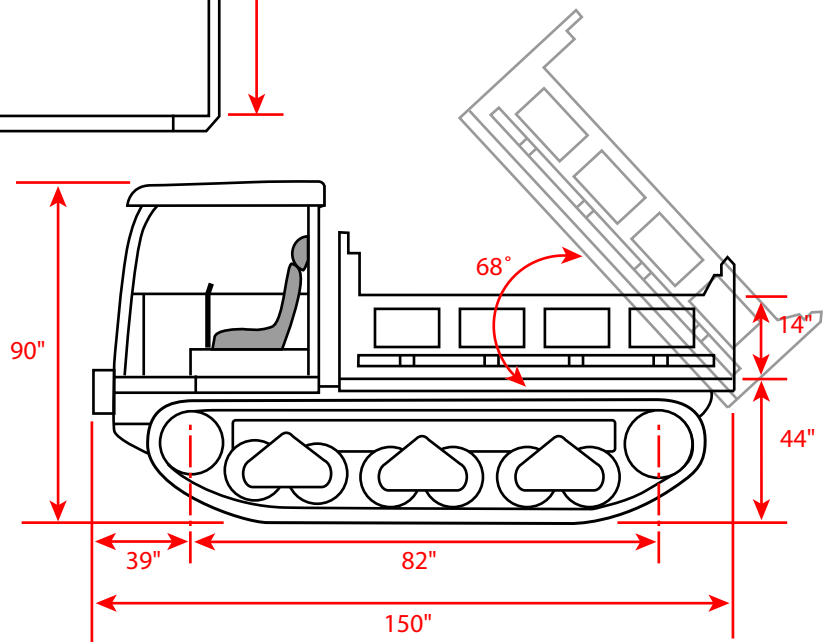
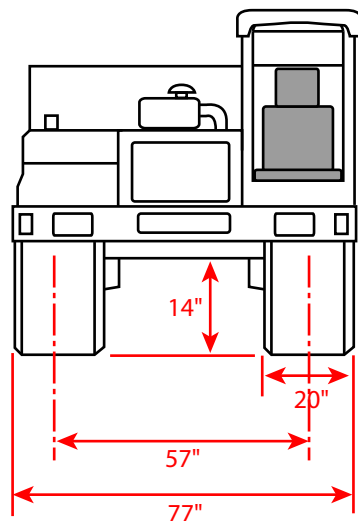
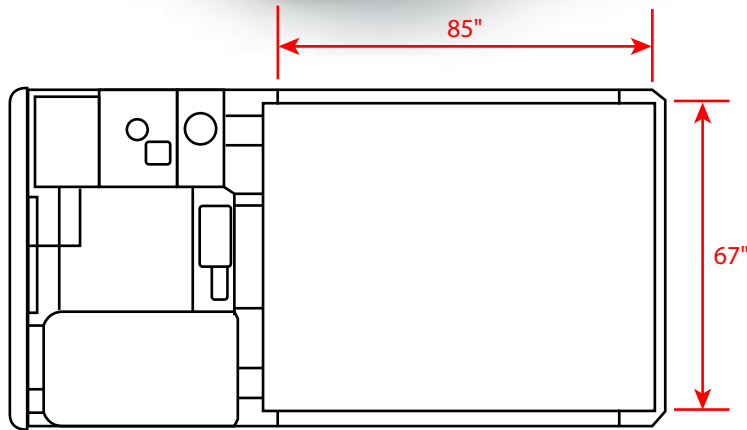
PERFORMANCE

Max. Loading Capacity	5,000 lbs
Travel Speed - Stage 1	3.73 mph
Travel Speed - Stage 2	5.59 mph
Gradeability (unloaded)	30 degrees
Ground Pressure	2.28 psi
Ground Pressure (loaded)	4.55 psi
Bed Rotation	80° R or L





ENGINE	
Make: Isuzu	
Model: 4JG1T	
4 cylinder, Displacement: 3 liter	
76 hp @ 2,150 rpm	
Fuel tank capacity: 22 gal	
MACHINE WEIGHT	
8,800 lbs	
PERFORMANCE	
Max. Carrying Capacity	7,260 lbs
Travel Speed - 1st Gear	4.7 mph
Travel Speed - 2nd Gear	7.5 mph
Gradeability (unloaded)	30 degrees
Ground Pressure	2.7 psi
Ground Pressure (loaded)	3.6 psi





ENGINE

Make: Mitsubishi

Model: 4D34-TE2

4 cylinder, Displacement: 3.9 liter

115 hp @ 2,200 rpm

Fuel tank capacity: 27.7 gal

MACHINE WEIGHT

13,448 lbs

PERFORMANCE

Max. Carrying Capacity 9,460 lbs

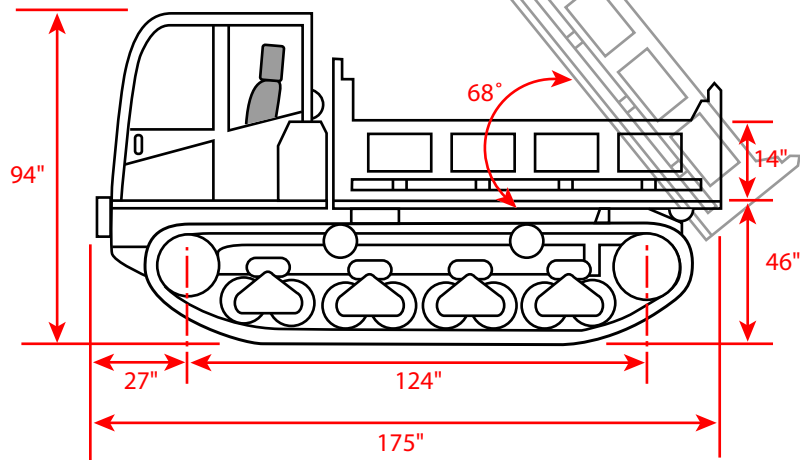
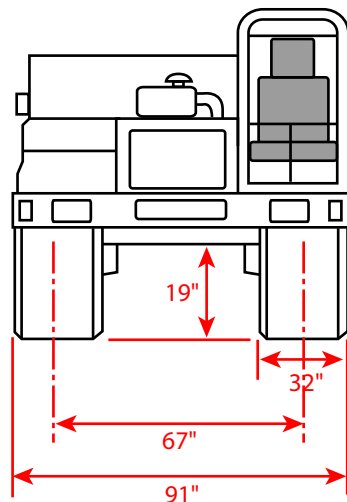
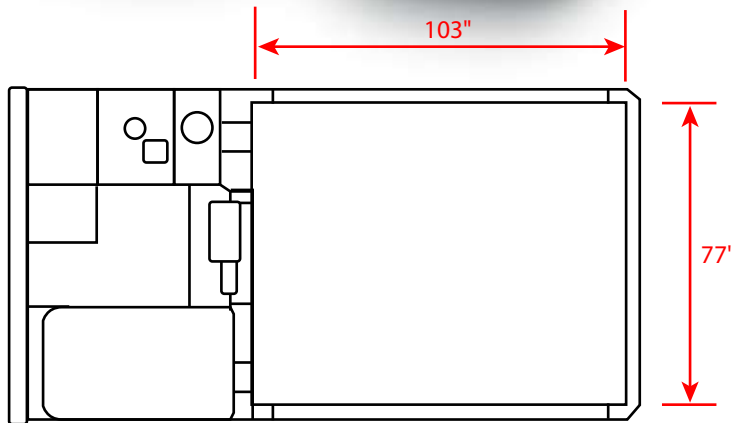
Travel Speed - 1st Gear 5.1 mph

Travel Speed - 2nd Gear 7.5 mph

Gradeability (unloaded) 30 degrees

Ground Pressure 2.3 psi

Ground Pressure (loaded) 3.8 psi





ENGINE

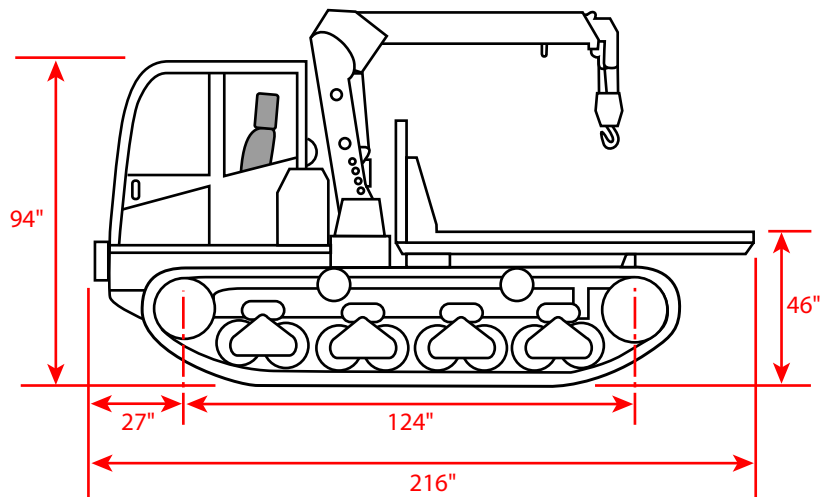
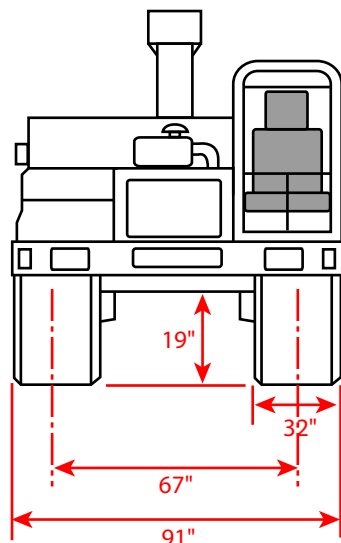
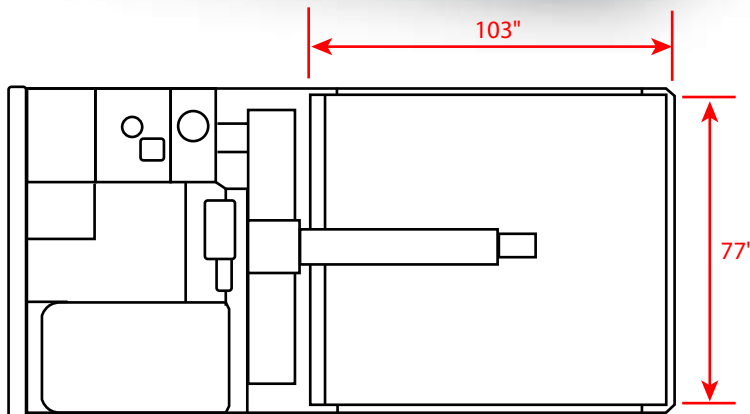
Make: Mitsubishi
 Model: 4D34-TE2
 4 cylinder, Displacement: 3.9 liter
 115 hp @ 2,200 rpm
 Fuel tank capacity: 27.7 gal

MACHINE WEIGHT

13,448 lbs

PERFORMANCE

Max. Carrying Capacity	9,460 lbs
Travel Speed - 1st Gear	5.1 mph
Travel Speed - 2nd Gear	7.5 mph
Gradeability (unloaded)	30 degrees
Ground Pressure	2.3 psi
Ground Pressure (loaded)	3.8 psi





ENGINE

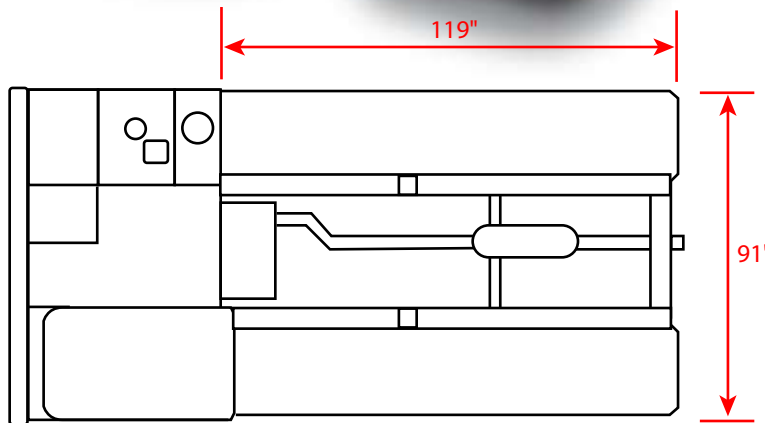
Make: Mitsubishi
Model: 4D34-TE2
4 cylinder, Displacement: 3.9 liter
115 hp @ 2,200 rpm
Fuel tank capacity: 27.7 gal

MACHINE WEIGHT

13,448 lbs

PERFORMANCE

Max. Carrying Capacity	9,460 lbs
Travel Speed - 1st Gear	5.1 mph
Travel Speed - 2nd Gear	7.5 mph
Gradeability (unloaded)	30 degrees
Ground Pressure	2.3 psi
Ground Pressure (loaded)	3.8 psi



800-VDL DESCRIPTION:

Motor and Pumps are located 15" forward to increase platform length.

