



ENGINE

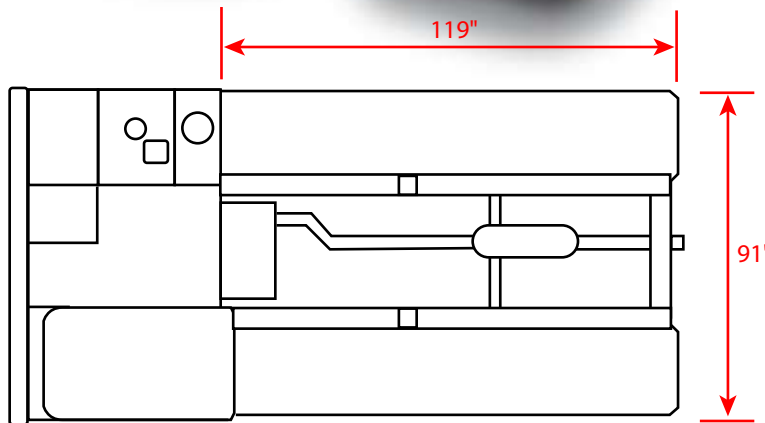
Make: Mitsubishi
 Model: 4D34-TE2
 4 cylinder, Displacement: 3.9 liter
 115 hp @ 2,200 rpm
 Fuel tank capacity: 27.7 gal

MACHINE WEIGHT

13,448 lbs

PERFORMANCE

Max. Carrying Capacity	9,460 lbs
Travel Speed - 1st Gear	5.1 mph
Travel Speed - 2nd Gear	7.5 mph
Gradeability (unloaded)	30 degrees
Ground Pressure	2.3 psi
Ground Pressure (loaded)	3.8 psi



800-VDL DESCRIPTION:

Motor and Pumps are located 15" forward to increase platform length.

